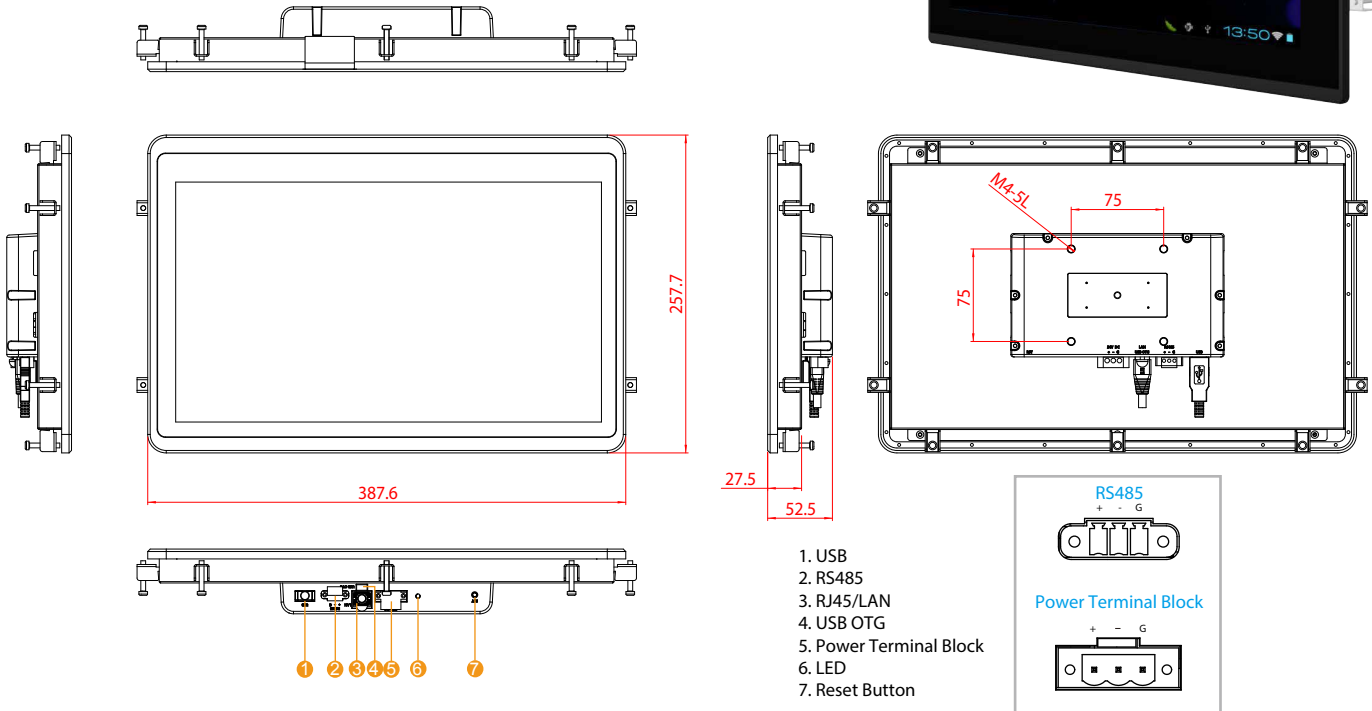


Winmate EL-Series HMI

15.6" EL-Series HMI with Freescale i.MX6

W15FA3S-ELA4

- 15.6" 1920 x 1080 Resolution with Projected Capacitive Multi-Touch (P-CAP)
- Freescale Cortex A9 i.MX6 Dual Core 1GHz
- Fanless cooling system and Ultra-low power consumption
- Front IP65 Water and Dust Proof
- 1 x USB; 1 x RS485; 1 x USB OTG; 1 x RJ45/LAN



Specifications

System :

- Processor : Freescale Cortex A9 i.MX6 Dual Core 1GHz
- System Memory : 1GB LPDDR3
- Storage : Onboard 8GB eMMC

Input / Output :

- USB Ports : 1 x USB 2.0 host, 1 x USB OTG
- COM port : 1 x RS485
- Ethernet : 1 x RJ45, 10/100/1000
- Power Connector : Terminal Block 3 Pin

Certification :

- CE : Front IP : IP65
- FCC : Rear IP : IP20

Power Specifications :

- Power Input : 12~24V DC in with isolation
- Power Consumption : 12W

Display Spec :

- Size/Type : 15.6 TFT (Wide screen)
- Resolutions : 1920 x 1080
- Brightness : 300 cd/m²(typ.)
- Contrast Ratio : 800 : 1 (typ.)
- Viewing Angle : -85~85(H); -85~85(V)
- Max Colors : 262K (8bit)
- Touch : Projected Capacitive Multi-Touch (P-CAP)

Mechanical Specification :

- Cooling System : Fanless design
- Mounting : Mounting clips x 10
- Dimension (W x H x D) : 387.6 x 257.7 x 27.5 (mm)
- Cutout Dimensions (W x D) : 370.6 x 217.4 (mm)

Environment Considerations :

- Operating Temperature : -10 deg.C to 50 deg.C
- Operating Humidity : 10% to 90% (non condensing)

OS/BSP Driver Support :

- Operation System : Android 6.0
Ubuntu 16.04