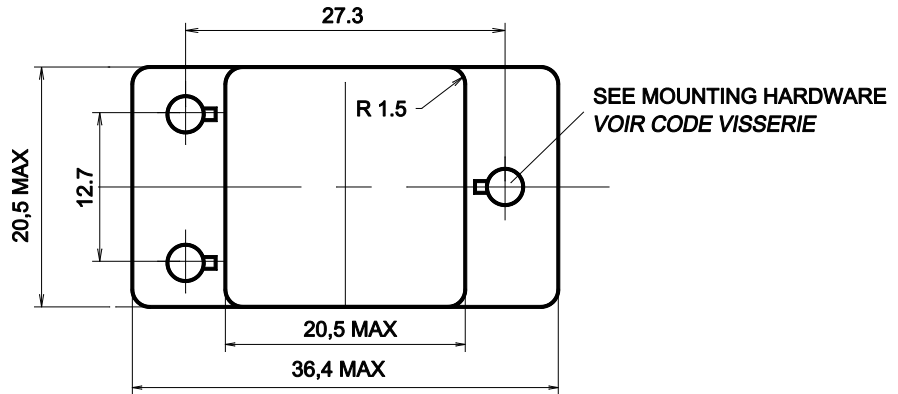


Applicable relays:
Series M230 (DC coil)



GENERAL CHARACTERISTICS CARACTERISTIQUES GENERALES

Crimp tool <i>Pince à sertir</i>	M 22520/7-01 with turret M 22520/7-12 & 13
Insertion and extraction tool <i>Outil d'insertion et d'extraction</i>	M 81969/16-01 & 2
Weight <i>Poids</i>	25g max.
Temperature range <i>Température d'utilisation</i>	-70° C to +125° C.
This socket is designed to the standards and requirements of MIL-S-12883/46 Contacts and hardware to be delivered disassembled in a plastic bag. Tolerances, unless otherwise specified, ±0.15mm. <i>Norme de référence MIL-S-12883/46, contacts et visserie livrés séparément dans un sachet plastique. Tolérances générales ±0,15mm.</i>	

LEACH INTERNATIONAL EUROPE S.A.S.
Tel: +33 3 87 97 98 97
Fax: +33 3 87 97 96 86

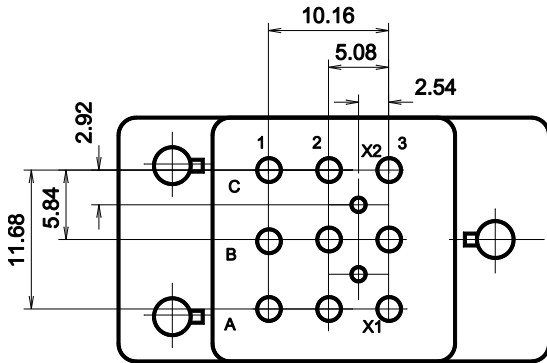
LEACH INTERNATIONAL ASIA PACIFIC
Tel: +852 2 191 3830
Fax: +852 2 389 5803

The technical information provided by Leach International Europe is to be used as a guide only, and is not meant for publication or as documentation for altering any existing specification. Dimensions are in millimeters unless otherwise specified. Rev. 06/2019.

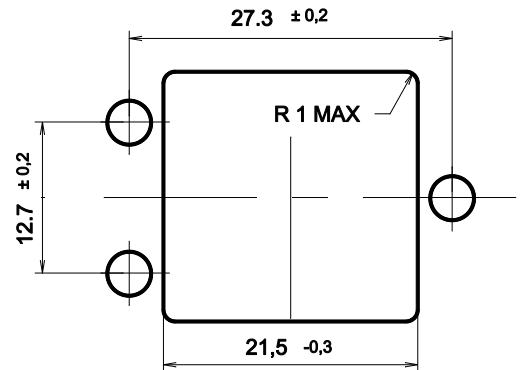
TERMINAL LAYOUT TYPE DE SORTIE

Dimensions in mm
Tolerances, unless otherwise specified, ± 0.25 mm

CODE A



MOUNTING HOLE LAYOUT DECOUPE DE LA STRUCTURE



MOUNTING HARDWARE TYPE DE VISSERIE

CODE 0 : WITHOUT HARDWARE SANS VISSERIE		
CODE 1: 14 464 01 LOOSE METRIC HARDWARE VISSERIE METRIQUE AMOVIBLE BOTTOM MOUNT MONTAGE SOUS STRUCTURE MOUNTING TORQUE COUPLE DE SERRAGE M3 : 0,45 Nm	CODE 2: 14 464 02 LOOSE METRIC HARDWARE VISSERIE METRIQUE AMOVIBLE TOP MOUNT MONTAGE SUR STRUCTURE MOUNTING TORQUE COUPLE DE SERRAGE M3 : 0,45 Nm	CODE 3: 14-464-03 LOOSE STUDS HARDWARE PER M12883/45 VISSERIE U.N.C AMOVIBLE SELON MIL12883/46 BOTTOM MOUNT MONTAGE SOUS STRUCTURE $\phi:4,4$ mm MOUNTING TORQUE COUPLE DE SERRAGE STUD 2,8:0,45 Nm - STUD 4,2:1,1 Nm
CODE 4: 14 464 05 FIXED UNC HARDWARE PER MIL12883/46 VISSERIE U.N.C MOULEE SELON MIL12883/46 BOTTOM MOUNT MONTAGE SOUS STRUCTURE MOUNTING TORQUE COUPLE DE SERRAGE 112.40 : 0,45 Nm 164.32 : 1,7 Nm	CODE 5: 14 464 06 FIWED UNC HARDWARE VISSERIE METRIQUE MOULEE TOP MOUNT MONTAGE SUR STRUCTURE RELAYS WITH CODE C TERMINALS MOUNTING TORQUE M3 0,45 Nm RELAIS AVEC FIXATION "C" COUPLE DE SERRAGE M3 0,45 Nm	CODE 6: 14 464 07 FIWED UNC HARDWARE VISSERIE METRIQUE MOULEE TOP MOUNT MONTAGE SUR STRUCTURE RELAYS WITH CODE C TERMINALS MOUNTING TORQUE M3 0,45 Nm RELAIS AVEC FIXATION "C" COUPLE DE SERRAGE M3 0,45 Nm

WIRE INSULATION DIAMETER FOR SEAL TO GROMMET JOINT D'ÉTANCHEITE

CODE A
<p>Ø 0,86 to 1,85 mm. External wire diameter <i>Diamètre du fil externe</i></p>

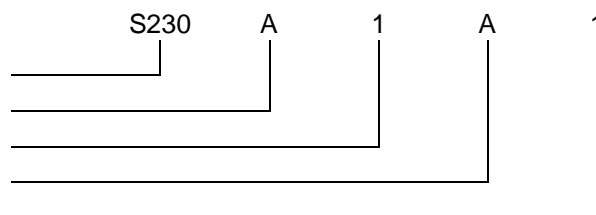
CONTACT SIZE AND STYLE TAILLE ET STYLE DE CONTACTS

CODE 0	CODE 1	CODE 4
<p>Without contacts <i>Contacts non fournis</i></p>	<p>LEACH reference : 14 422 00 Crimp end to accomodate: AWG 16-18-20 Contact mating end: AWG: 16</p>	<p>LEACH reference : 31 242 00 Crimp end to accomodate: AWG 16-18-20 Contact mating end: AWG: 16</p>
	<p>LEACH reference : 14 421 00 Crimp end to accomodate: AWG 20-22-24 Contact mating end: AWG: 20</p>	<p>LEACH reference : 31 164 00 Crimp end to accomodate: AWG 20-22-24 Contact mating end: AWG: 20</p>

SOCKET NUMBERING SYSTEM SYSTEME DE REFERENCES

Basic series designation | Référence de base

1. Terminal layout | Type de sorties
2. Mounting hardware | Type de visserie
3. Grommet to seal on wire insulation | Joint d'étanchéité
4. Contact size and style | Taille et style de contact



Exemple : S230-A1A1