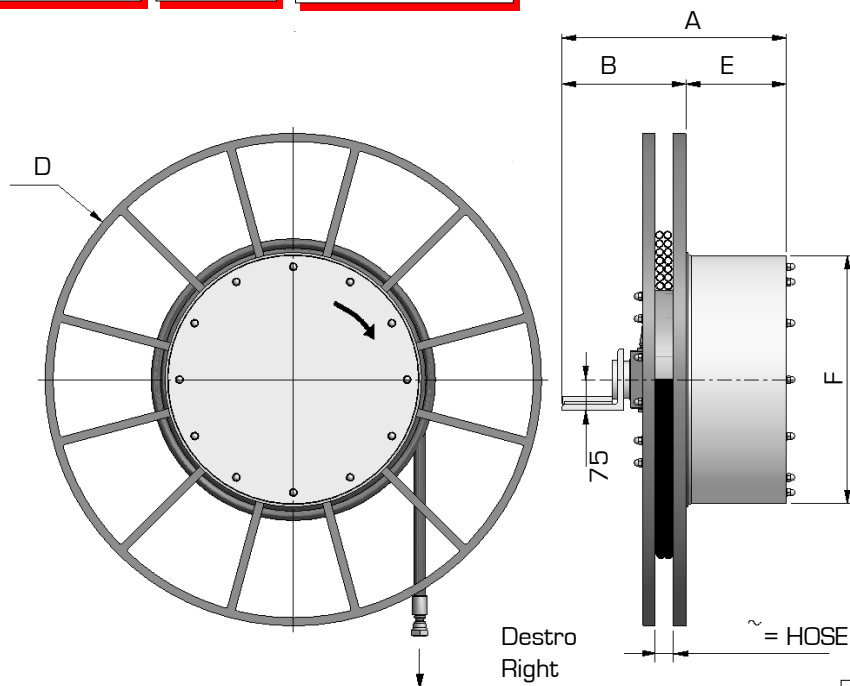
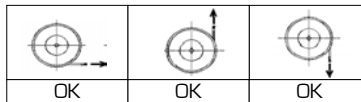


**141.1**
**MAX  
135 l/min**
**W. P.  
350 bar**
**MAX HOSE SPEED  
30 m/min**

 AGD 800 = MODELLO DESTRO / RIGHT MODEL  
 AGS 800 = MODELLO SINISTRO / LEFT MODEL  
 Es. ORD. AGD800.25.10.B1

Modello destro Right model	A	B	D	E	F	Tubo/Hose B1 - B2 - B3		
						Ø	Lungh.totale	Lungh.utile
							Total length m	Usable length m
AGD800.25.10.XX	440	180	810	155	605	3/8"	20	19
AGD800.25.12.XX						1/2"	18	17
AGD800.25.16.XX						5/8"	16	15
AGD800.25.19.XX						3/4"	15	14
AGD900.25.10.XX	440	180	910	190	605	3/8"	26	25
AGD900.25.12.XX						1/2"	24	23
AGD900.25.16.XX						5/8"	22	21
AGD900.25.19.XX						3/4"	20	19
AGD1000.25.10.XX	490	180	1000	240	605	3/8"	30	29
AGD1000.25.12.XX						1/2"	28	27
AGD1000.25.16.XX						5/8"	24	23
AGD1000.25.19.XX						3/4"	20	19
AGD1100.25.10.XX	490	180	1100	240	605	3/8"	35	33
AGD1100.25.12.XX						1/2"	35	33
AGD1100.25.16.XX						5/8"	30	28
AGD1100.25.19.XX						3/4"	25	23
AGD1200.25.10.XX	540	180	1200	240	605	3/8"	40	38
AGD1200.25.12.XX						1/2"	44	40
AGD1200.25.16.XX						5/8"	37	35
AGD1200.25.19.XX						3/4"	30	28
AGD1300.25.12.XX	540	180	1300	240	605	1/2"	47	45
AGD1300.25.16.XX						5/8"	45	43
AGD1300.25.19.XX						3/4"	35	33
AGD1400.25.16.XX	540	180	1400	300	650	5/8"	50	48
AGD1400.25.19.XX						3/4"	40	38