

Linear Potentiometer Internal Voltage / Current Conditioner Circuit

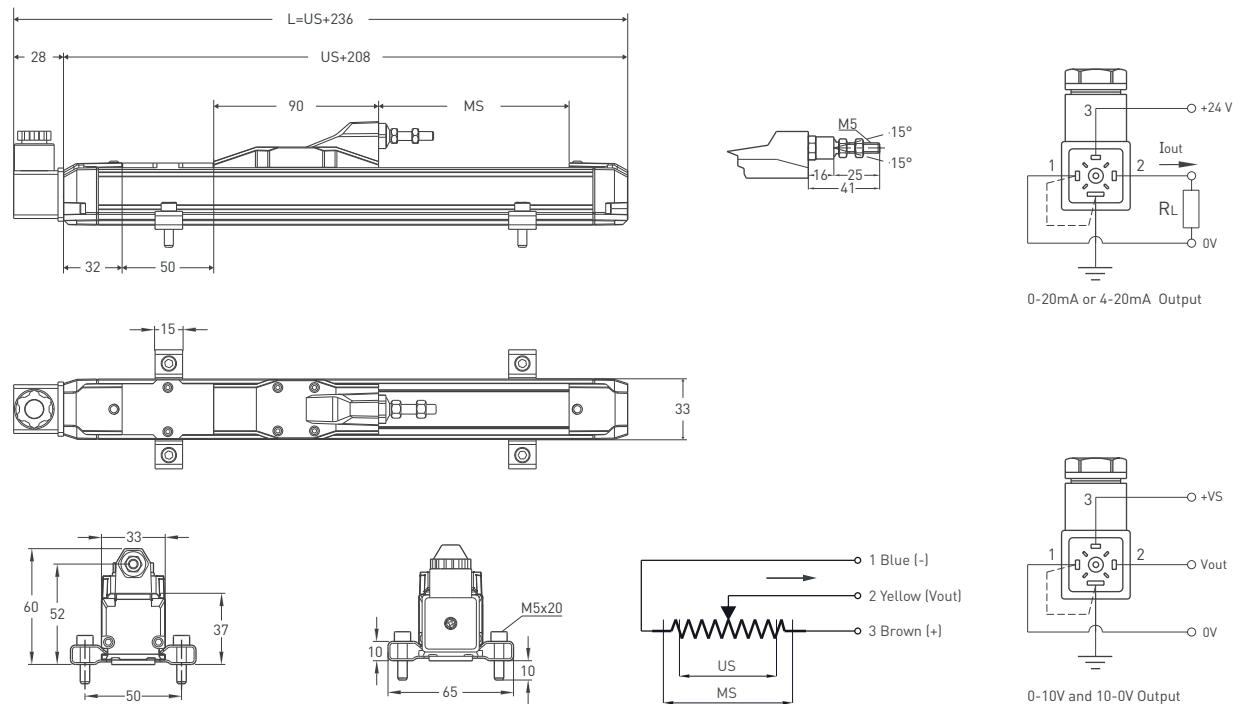


- Measuring range 100 - 1950 mm
- Internal electronic circuit
- 4-20mA, 0-20mA, 0-10V output
- <0.01 mm repeatability



Technical Specifications	
Measurement stroke	100 - 1950 mm
Linearity	±%0.2 (100-125 mm) ±%0.1(130-225 mm), ±%0.05 (≥250 mm)
Repeatability	< 0.01 mm
Resolution	Infinite
Output	4-20mA, 0-20mA, 0-10V, 20-4mA, 20-0mA, 10-0V
Permissible applied voltage	15 - 30 VDC
Electrical connections	4 pin connector
Displacement speed	< 1.5 m/s
Mechanical life	100 million movement
Case dimensions	33 mm x 33 mm
Case material	Anodized aluminium
Rod material	Stainless steel
Rod diameter	Ø6 mm
Mechanical fixing	Variable brackets
Protection level	IP 40 / upside down 53
Operating temperature	-20°C ... +80°C
Storage temperature	-30°C ... +90°C

Mechanical Specifications



ERPH (mm)	100	125	130	150	175	200	225	250	275	300	325	350	375	400	450	500	550	600	650	700	750	800	850	900	1000	1250	1500	1750	1950
US (Usefull stroke)	100	125	130	150	175	200	225	250	275	300	325	350	375	400	450	500	550	600	650	700	750	800	850	900	1000	1250	1500	1750	1950
MS (Mechanical stroke)	104	129	134	154	179	204	229	254	279	304	329	354	379	404	454	504	554	604	654	704	754	804	854	904	1004	1254	1504	1750	1954
L (Total stroke)	336	361	366	386	411	436	461	486	511	536	561	586	611	636	686	736	786	836	886	936	986	1036	1086	1136	1236	1486	1736	1986	2186

Ordering Procedure

Model	Measurement stroke (mm)	Linearity (%)	Output	Connector
ERPH	500	D	V10	CH1
ERPH	100 - 1950 mm	B: ±%0.2 (100 - 125 mm), C: ±%0.1 (130 - 225 mm), D: ±%0.05 (≥250 mm)	I40 : 4-20mA V10 : 0-10V I04 : 20-4mA V01 : 10-0V I20 : 0-20mA I02 : 20-0mA	CH1: 4 pin, hydraulic type connector

Please note: The specifications and information in this datasheet may not cover all special demands arising from specific applications. Therefore, they do not constitute a comprehensive description of the product properties. OPKON accepts no responsibility for damages resulting from the improper application of our products. The user is responsible for ensuring that the products used are suitable for their own application.