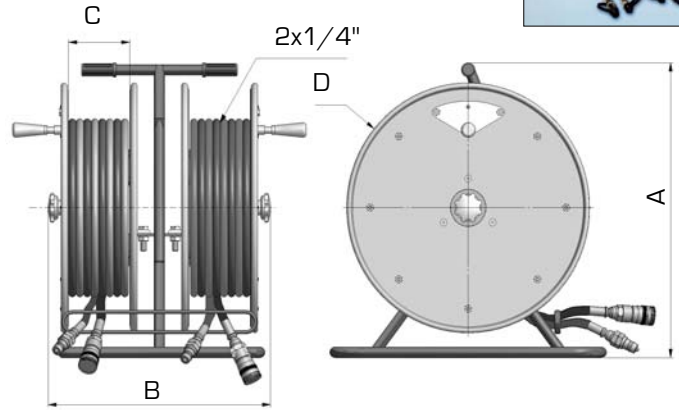
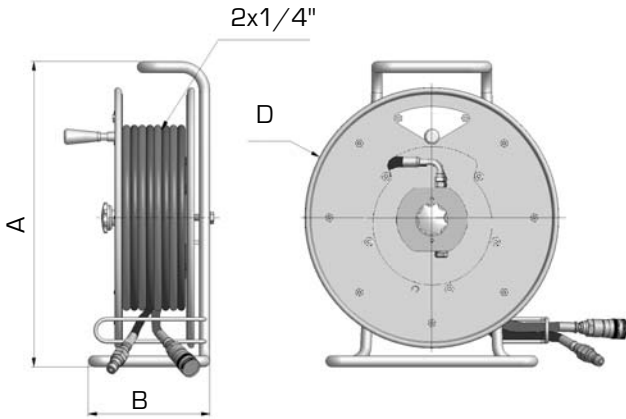


142.0

RT 1

RT 2



Modello Model	PRESSIONE MAX. MAX PRESSURE		A	B	C	D	TUBO HOSE	Peso Weight
	bar	MPa						
RT1.20.35	350	35	500	200	115	420	1/4" B2 - 20m	19
RT1.30.35			580			478	1/4" B2 - 30m	25
RT1.50.35			620	210	150	520	1/4" B2 - 50m	40
RT1.20.70	700	70	500	200	115	420	1/4" B3 - 20m	20
RT1.30.70			580			478	1/4" B3 - 30m	26
RT1.50.70			620	210	150	520	1/4" B3 - 50m	41
RT2.20.35	350	35	500	385	115	420	2 x 1/4" B2 - 20m	38
RT2.30.35						478	2 x 1/4" B2 - 30m	50
RT2.20.70	700	70				420	2 x 1/4" B3 - 20m	40
RT2.30.70						478	2 x 1/4" B3 - 30m	52