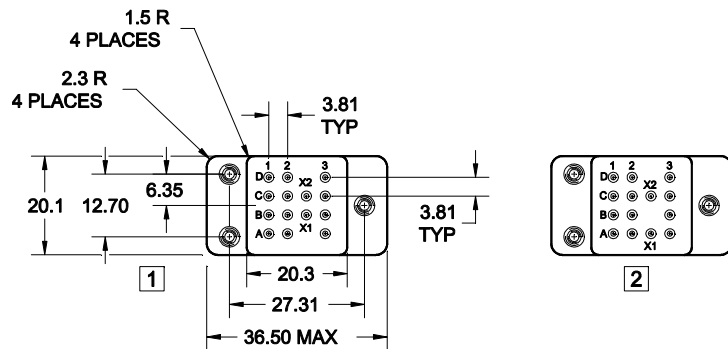
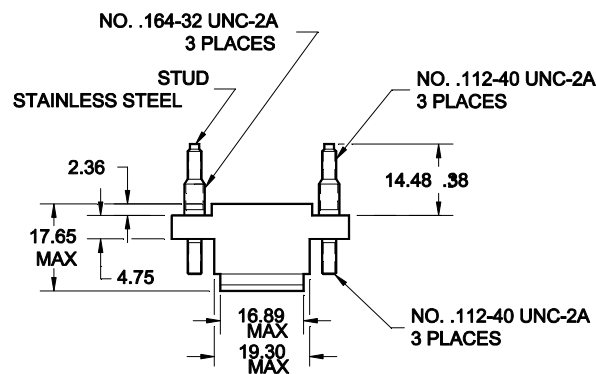


SOCKET DRAWING / PLAN DU SOCLE

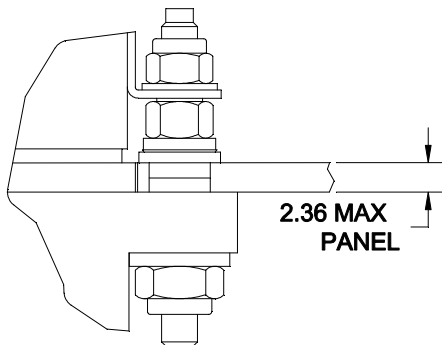


Basic socket series designation for :
YA

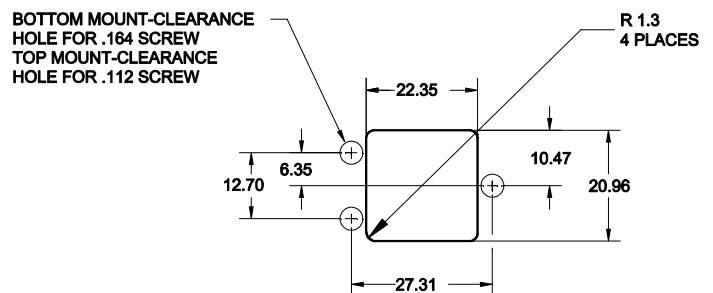
Meets the requirements of :
MIL-DTL-12883/44



HARDWARE MOUNTING DETAIL DE MONTAGE



MOUNTING DIMENSIONS PERCAGE DE LA STRUCTURE



Dimensions in mm
Tolerances, unless otherwise specified, $\pm 0.25\text{mm}$

GENERAL CHARACTERISTICS CARACTERISTIQUES GENERALES

-Supplied with mounting hardware and No. 20 contacts and crimp for coil codes F, K (SO-1066-10385)

SO-1064-10385 pour relais YA code bobine F ou K. Visserie moulée - fourni avec 14 contacts 20 /20

-Supplied with mounting hardware and No. 20 contacts and crimp for coil codes E, J (SO-1066-10386)

SO-1064-10386 pour relais YA code bobine J. Visserie moulée - fourni avec 14 contacts 20 /20

Temperature range / Température d'utilisation

-70° C to +125° C.

Weight / Masse

25g max.

AMERICAS.

Tel: +1 714-736-7599

<http://www.esterline.com/powersystems>

EUROPE.

Tel: +33 3 87 97 31 01

Fax: +33 3 87 97 96 86

ASIA

Tel: +852 2 191 3830

Fax: +852 2 389 5803