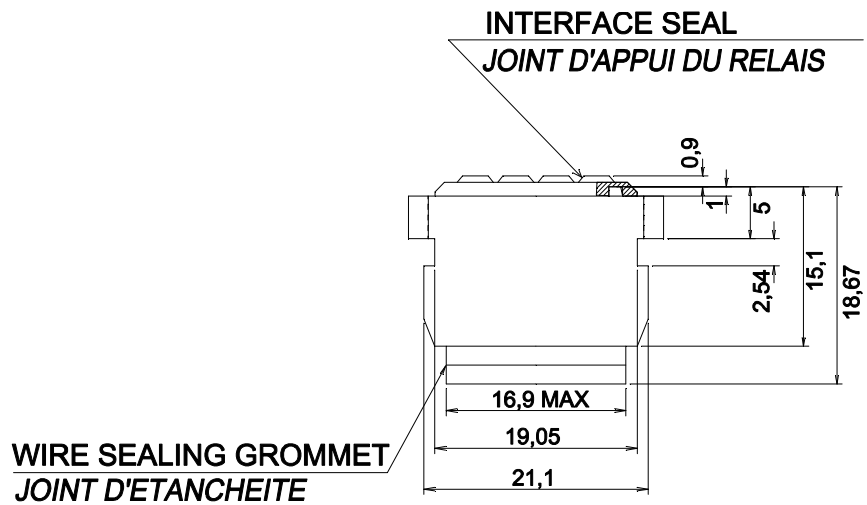




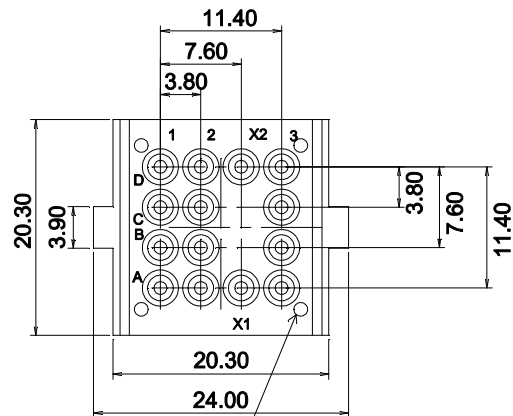
Basic socket series designation for :
M220 (Track Mount)

Qualified to:
MIL-DTL-12883/52-002

Applicable track:
MT-3000-003



WIRE SEALING GROMMET
JOINT D'ETANCHEITE



MATING RELAY STOP POST
PLOTS D'APPUI DU RELAIS

Dimensions in mm
Tolerances, unless otherwise specified, ± 0.12 mm

GENERAL CHARACTERISTICS CARACTERISTIQUES GENERALES

Weight <i>Poids</i>	14g max.
Used in conjunction with MT-3000-003 <i>Utilisé en union avec MT-3000-003</i>	
Supplied with No. 20 contacts and No. 20 crimp. <i>Livré avec contacts No. 20 et</i>	

AMERICAS.

Tel: +1 714-736-7599
<http://www.esterline.com/powersystems>

EUROPE.

Tel: +33 3 87 97 31 01
Fax: +33 3 87 97 96 86

ASIA

Tel: +852 2 191 3830
Fax: +852 2 389 5803