

### FEATURES

- > Compact design saves precious space while isolating 25kV
- > Rugged HV wire leads make installation easy
- > Mounting options in any axis



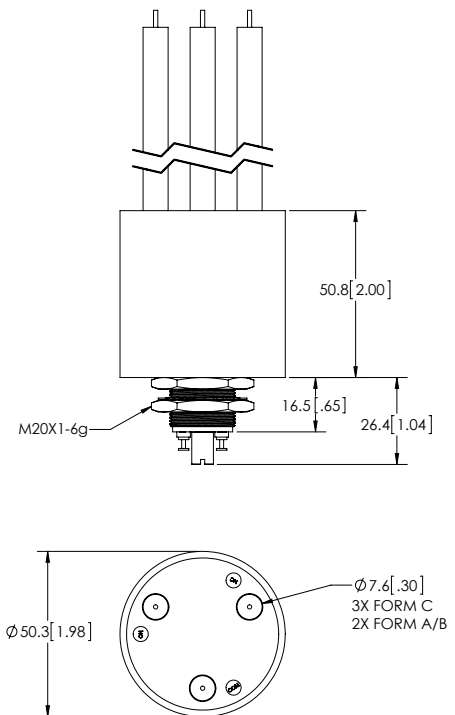
### PRODUCT SPECIFICATIONS

Contact & Relay Ratings	Units	G62B
<b>Contact Form</b>		B
<b>Contact Arrangement</b>		SPST-NC
Contact Material (moveable/stationary)		molybdenum /tungsten
Dielectric		Inert Gas
<b>Voltage, Test Max., Contacts &amp; to Base (15 µA Leakage Max.)</b> dc or 60Hz	kV Peak	30
<b>Voltage, Operating Max., Contacts &amp; to Base (15 µA Leakage Max.)</b> dc or 60 Hz	kV Peak	25
<b>Current, Load Switching</b>		Contact factory*
<b>Current, Continuous Carry Max</b> dc or 60 Hz	Amps	18
<b>Coil Hi-Pot (V RMS, 60 Hz)</b>	V	500
<b>Resistance, Contact Max @ 1A, 28 Vdc</b>	ohms	0.5
<b>Operate Time</b>	ms	15
<b>Release Time</b>	ms	15
<b>Life, Mechanical</b>	cycles	1 million
<b>Weight, Nominal</b>	g (oz)	336 (12)
<b>Vibration, Operating, Sine (55-500 Hz Peak)</b>	G's	10
<b>Shock, Operating, 1/2 Sine 11ms (Peak)</b>	G's	20
<b>Temperature Ambient Operating</b>	°C	-55 to +85

\*Consult factory for load switching applications.

### COIL RATINGS

Nominal, Volts dc	12	26.5	115
Pick-up, Volts dc, Max.	9	18	90
Drop-Out, Volts dc	.5 - 5	1 - 10	5 - 55
Coil Resistance (Ohms ±10%)	30	125	2000



### PART NUMBER SYSTEM

G62B	7	4	1
<b>Coil Voltage</b>	7 = 12 Vdc, Turret Terminal 8 = 26.5 Vdc, Turret Terminal 9 = 115 Vdc, Turret Terminal		
<b>High Voltage Connections</b>		4 = Flying Leads, 12" 7 = Flying Leads, 72" 8 = Flying Leads, 36"	
<b>Mounting</b>			1 = Threaded

Ratings listed are for 25°C, sea level conditions