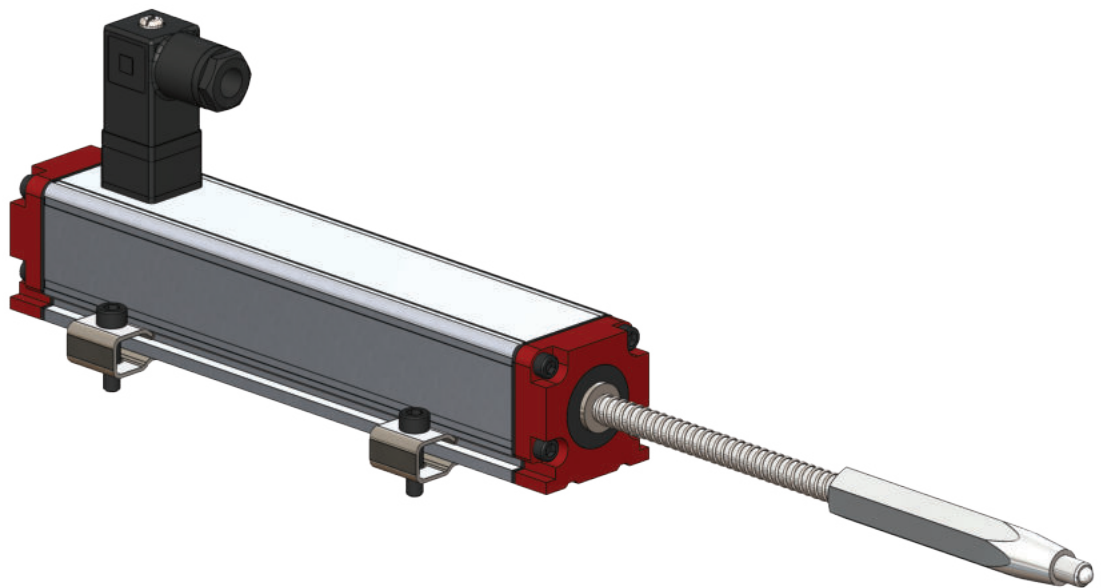


LPS

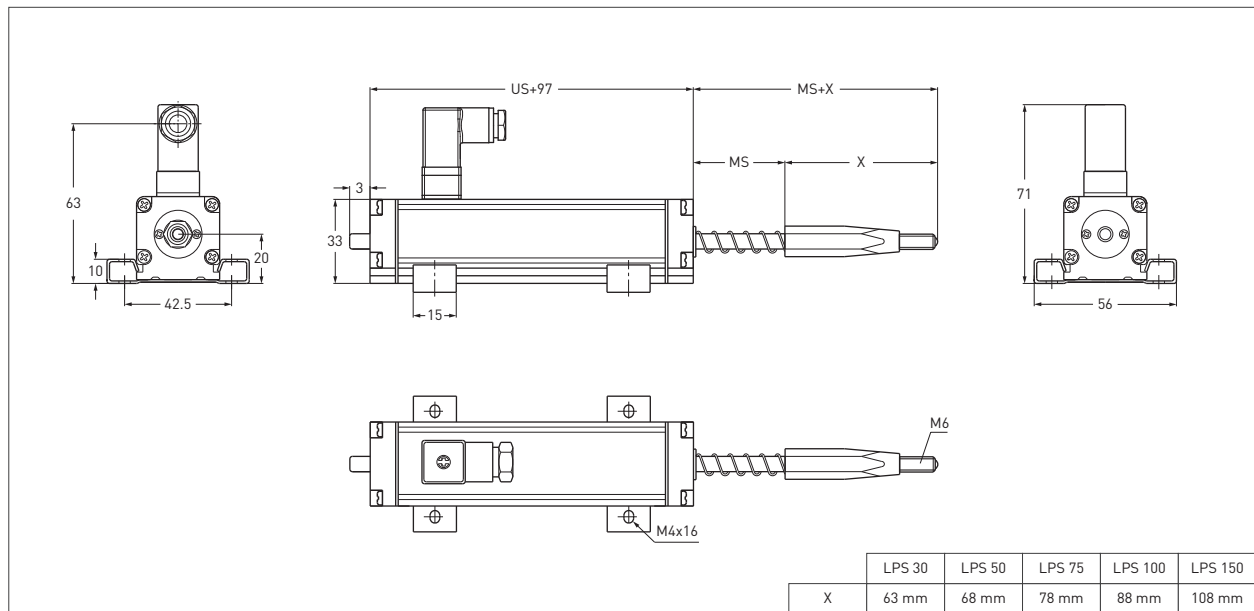
Linear Potentiometer
Spring Return 30 - 150 mm



1. TECHNICAL SPECIFICATIONS

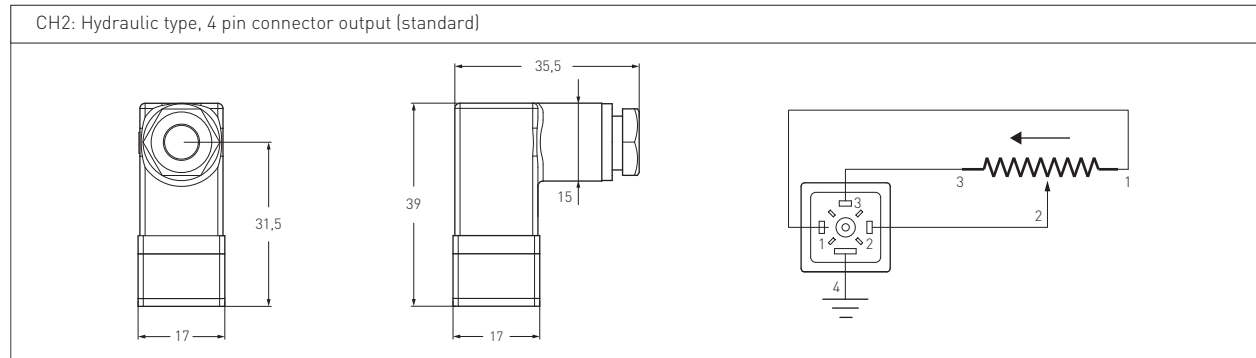
Measurement stroke	30 - 150 mm
Resolution	Infinite
Repeatability	< 0.01 mm
Permissible applied voltage	28 VDC max.
Electrical connections	CH2: Hydraulic type, 4 pin connector output (standard)
Displacement speed	< 5 m/s
Mechanical life	100 million movement
Protection level	IP 50
Resistance	5 kOhm: 30 - 150 mm
Resistance tolerance	± %20
Load resistance	100 kOhm min.
Recommended wiper current	< 1 µA
Linearity	A: ±%0.5 (≤75 mm) B: ±%0.2 (100 - 125 mm) C: ±%0.1 (130 - 150 mm)
Case dimensions	33 mm x 33 mm
Case material	Anodized aluminium
Caps material	ABS Plastic
Rod material	Stainless steel AISI 303
Rod diameter	Ø6 mm
Mechanical fixing	Variable brackets
Operating temperature	-20°C ... +80°C
Storage temperature	-30°C ... +90°C

2. MECHANICAL SPECIFICATIONS

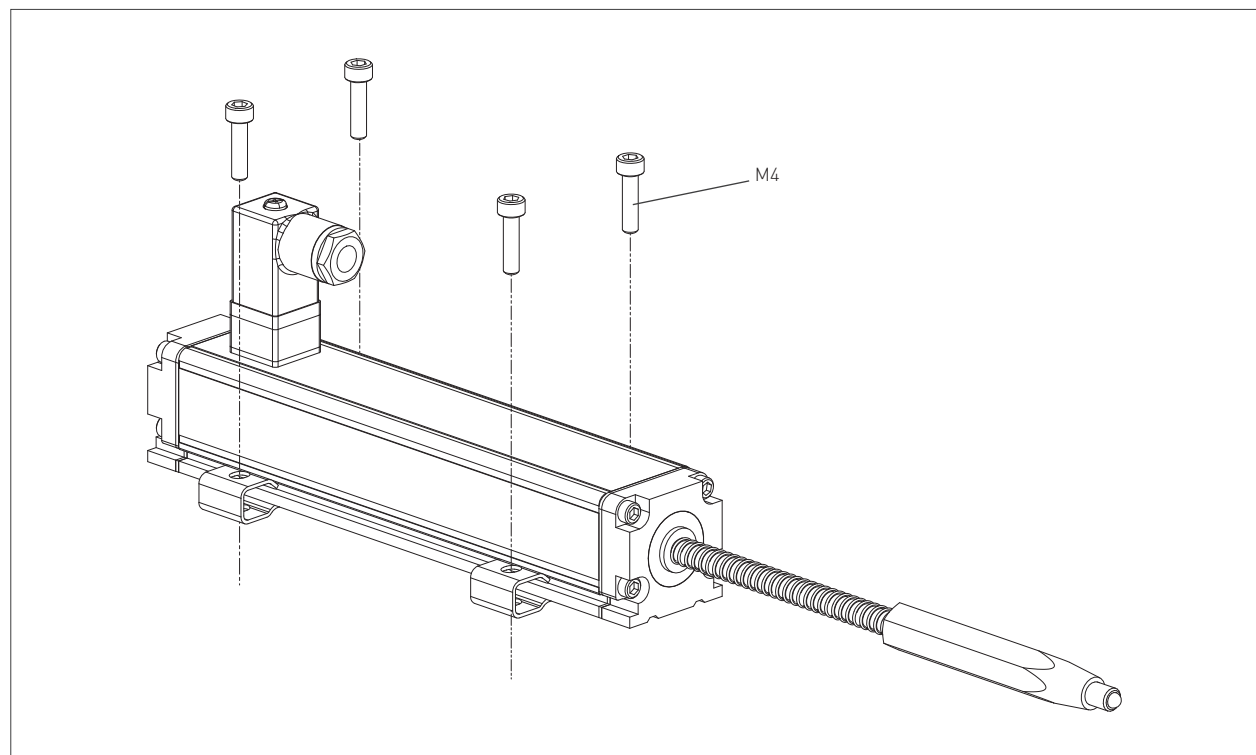


LPS (mm)	30	50	75	100	125	150
US (Usefull stroke)	30	50	75	100	125	150
MS (Mechanical stroke)	34	54	79	104	129	154
L (Total length)	227	272	332	392	452	512

3.CONNECTOR



4.ASSEMBLY



5.ORDERING PROCEDURE

1	Model LPS: Linear Potentiometer Long Stroke Series
2	Measuring range 30 - 150 mm
3	Linearity A: $\pm 0.5\%$ (≤ 75 mm) B: $\pm 0.2\%$ (100 - 125 mm) C: $\pm 0.1\%$ (130 - 150 mm)
4	Resistance (kOhm) 5K: 5 kOhm (30 - 150 mm)
5	Connector CH2: Hydraulic type, 4 pin connector output (standard)

For example:

LPS	175	A	5K	CH2
1	2	3	4	5

TÜRKİYE
Headquarter, R&D, Production

OPKON Optik Elektronik Kontrol Sanayi ve Ticaret A.Ş.
Terazidere Mah. 29 Ekim Cad. No:34 Bayrampaşa / İstanbul / TÜRKİYE
Phone : +90 (212) 501 48 63
Fax : +90 (212) 501 48 83
Web : www.opkon.com.tr
E-mail : export@opkon.com.tr

GERMANY
Subsidiary

SENSORMARKET GmbH
Graeffstrasse. 5, 50823 Köln / GERMANY
Phone : +49 22159495400
Fax : +49 22159495402
Web : www.sensormarker.eu
E-mail : sales@sensormarket.eu

CHINA
Subsidiary

DANZI Sense Technology
(Shanghai) Co., LTD. Room 123 - B, F/1, No. 1000 Ziyue Road, Minhang District, 200240 Shanghai / CHINA
Hotline : 400 8050 889
Phone : 021 - 64091719
Fax : 021 - 64091713
Web : www.opkonchina.com
E-mail : marketing@opkonchina.com

opkon.com.tr

Please note: The specifications and information in this datasheet may not cover all special demands arising from specific applications. Therefore, they do not constitute a comprehensive description of the product properties. OPKON accepts no responsibility for damages resulting from the improper application of our products. The user is responsible for ensuring that the products used are suitable for their own application.