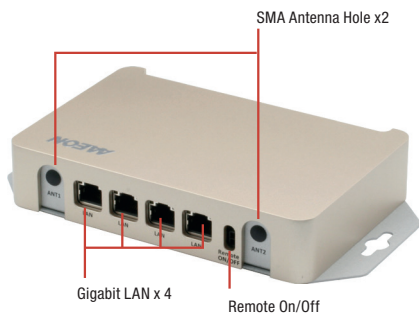
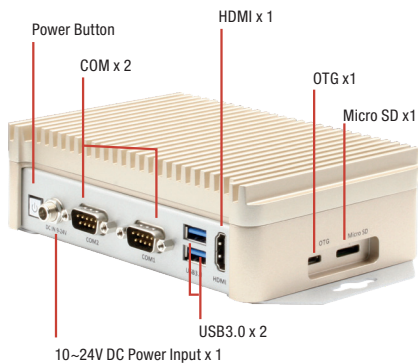


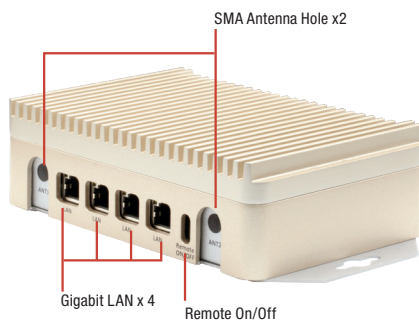
AI@Edge Fanless Embedded Box PC with NVIDIA Jetson TX2, 4 GbE LAN Ports

BOXER-8120AI-A1-1010
Front View

Rear View

BOXER-8120AI-A1-CS-N0001
Front View

Rear View



Features

- Nvidia Jetson TX2
- HMP Dual Denver 2 + Quad ARM A57
- Support Linux Ubuntu 16.04
- 8GB LPDDR4, 32GB eMMC 5.1
- RS-232 x 2, USB3.0 x 2, OTG x 1
- HDMI 2.0 x 1, LAN x 4 (Intel i211*3, Native*1)
- Micro-SD x 1, Remote On/Off
- Power input: 10~24V

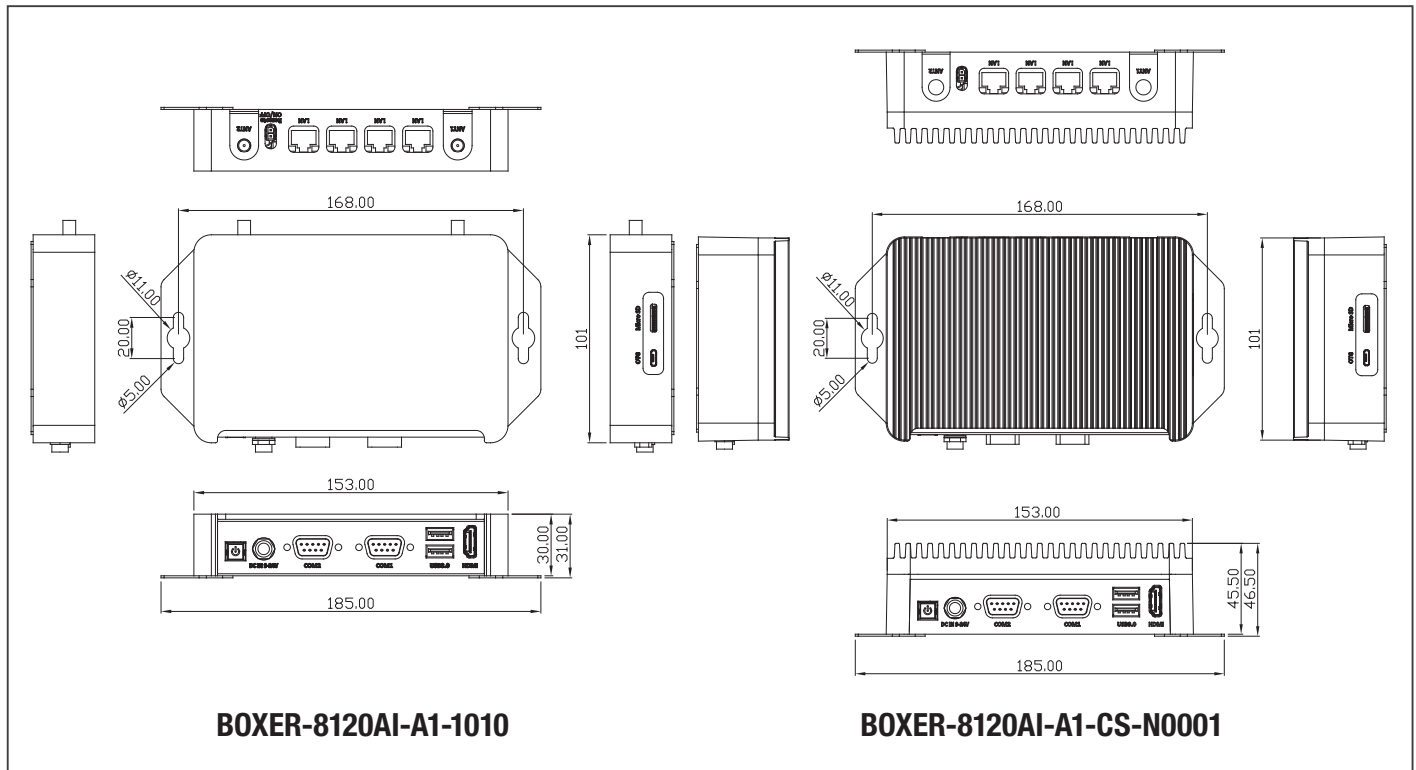


Specifications

System	
CPU	HMP Dual Denver 2 + Quad ARM A57
Chipset	—
System Memory	8GB LPDDR4
AI Solution	Nvidia Jetson TX2
Display Interface	HDMI 2.0
Storage Device	32GB eMMC 5.1 MicroSD x1
Ethernet	10/100/1000Base-TX x 4
I/O	USB 3.0 x 2 HDMI x 1 LAN x 4 COM x 2 OTG x 1 Power Button x 1 SMA Antenna Holes x 2 10~24V DC-In Power input x1 Remote Power On/Off x 1
Expansion	MicroSD x1 SATA x1 (option) USB 2.0 x 3 (option)
Indicator	Power LED
OS Support	Linux Ubuntu 16.04
Power Supply	
Power Requirement	10~24V DC-In with DC Jack
Mechanical	
Mounting	Wallmount
Dimensions (W x H x D)	153mm(W) x 30mm(H) x 101mm(D) 153mm(W) x 45.5mm(H) x 101mm(D) for CS-N0001
Gross Weight	4.40 lb (2Kg) 5.51 lb (2.5Kg) for CS-N0001
Net Weight	2.20 lb (1Kg) 3.31 lb (1.5Kg) for CS-N0001
Environmental	
Operating Temperature	-4°F ~ 122°F (-20°C ~ 50°C, according to IEC682-14 with 0.5 m/s AirFlow; with industrial Devices)
Storage Temperature	-13°F ~ 176°F (-25°C ~ 80°C)
Storage Humidity	95% @ 40°C, non-condensing
Anti-Vibration	Random, 5 Grms/ 5 ~ 500Hz/ operation
Certification	CE/FCC class A

Dimension

Unit: mm



BOXER-8120AI-A1-1010

BOXER-8120AI-A1-CS-N0001

Ordering Information

Part Number	CPU	PCH	RAM	LAN	USB 3.0	USB 2.0	RS-232	RS-232/422/485	Digital I/O	Audio	Storage	Display	Expansion	Mounting	Power	Operation temp.
BOXER-8120AI-A1-1010	HMP Dual Denver 2 + Quad ARM A57	—	8	4	2	—	2	—	—	—	32G eMMC	HDMI x 1	MicroSD x1 SATA x1 (option) USB 2.0 x 3 (option)	Wallmount	10 ~ 24V	-20°C ~ 50°C
BOXER-8120AI-A1-CS-N0001	HMP Dual Denver 2 + Quad ARM A57	—	8	4	2	—	2	—	—	—	32G eMMC	HDMI x 1	MicroSD x1 SATA x1 (option) USB 2.0 x 3 (option)	Wallmount	10 ~ 24V	-20°C ~ 50°C

Packing List

- Wallmount Bracket x 1
- Screw Package x 1
- Product DVD x 1
- BOXER-8120AI

Optional Accessories

- 125530060A
Power Adapter
- 1702031802
Power Cord (US Type)
- 1702031803
Power Cord (Europe)
- 170203180E
Power Cord (Japan)