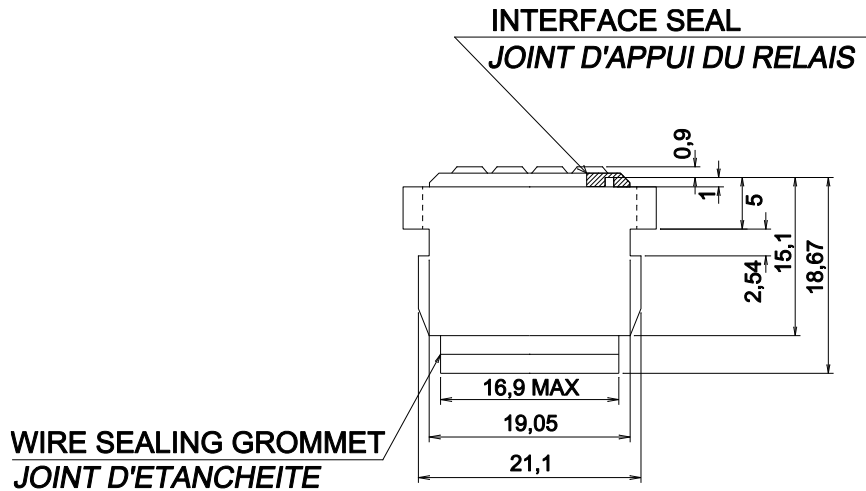


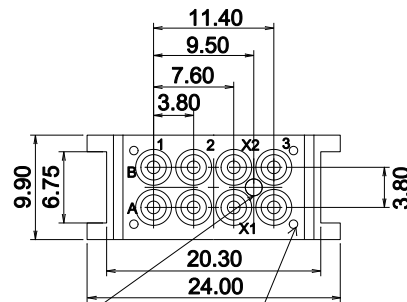
**Applicable relays and sensors:**  
Series M210 (Track Mount)  
Series TDH-1609, TDH-1610

**Qualified to:**  
MIL-DTL-12883/52-001

**Applicable track:**  
MT-3000-003



**WIRE SEALING GROMMET  
JOINT D'ETANCHEITE**



**POLARIZING HOLE  
TROU DE DETROMPAGE  
Ø 1.6, DEPTH 6.6**

**MATING RELAY STOP POST  
PLOTS D'APPUI DU RELAIS**

Dimensions in mm  
Tolerances, unless otherwise specified, ±0.12mm

**GENERAL CHARACTERISTICS  
CARACTERISTIQUES GENERALES**

<b>Supplied with No. 20 contacts and No. 20 crimp.</b> <i>Livré avec contacts No. 20 et</i>	
<b>Weight</b> <i>Poids</i>	7g max.
<b>Used in conjunction with MT-3000-003</b> <i>Utilisé en union avec MT-3000-003</i>	

LEACH INTERNATIONAL EUROPE S.A.S.  
Tel: +33 3 87 97 98 97  
Fax: +33 3 87 97 96 86

LEACH INTERNATIONAL ASIA PACIFIC  
Tel: +852 2 191 3830  
Fax: +852 2 389 5803

The technical information provided by Leach International Europe is to be used as a guide only, and is not meant for publication or as documentation for altering any existing specification. Dimensions are in millimeters unless otherwise specified. Rev. 06/2019.