

## Linear Potentiometer External Spring Return, Slim Body Series

- Measuring range 10 - 100 mm
- Long mechanical life
- Excellent repeatability <0.01 mm
- Infinite resolution
- 2 kOhm: 10 - 50 mm
- 5 kOhm: 75 - 100 mm



SLPKS  
Connector type

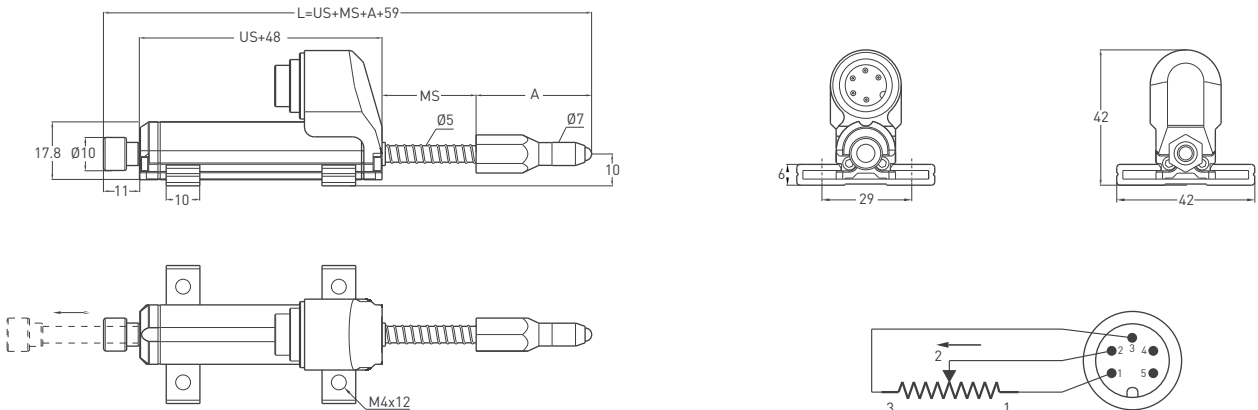


SLPKS  
Cable type

### Technical Specifications

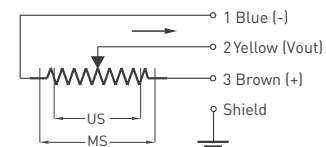
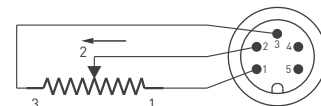
Measurement stroke	10 - 100 mm
Linearity	±%0.5 (≤75 mm), ±%0.2 (100 mm)
Repeatability	< 0.01 mm
Resolution	Infinite
Resistance	2 kOhm : 10 - 50 mm 5 kOhm : 75 - 100 mm
Resistance tolerance	± %20
Load resistance	100 kOhm min.
Recommended wiper current	<1 µA
Permissible applied voltage	28 VDC max.
Electrical connections	Connector or 1 m cable output
Displacement speed	< 5 m/s
Mechanical life	100 million movement
Case dimensions	Ø18 mm
Case material	Anodized aluminium
Rod material	Stainless steel
Rod diameter	Ø5 mm
Mechanical fixing	Variable brackets
Protection level	IP 40
Operating temperature	-20°C ... +80°C
Storage temperature	-30°C ... +90°C

### Mechanical Specifications



SLPKS (mm)	10	25	50	75	100
US (Useful stroke)	10	25	50	75	100
MS (Mechanical stroke)	13	28	53	78	103
L (Total length)	117	147	204	254	304

A	
SLPKS	35
SLPKS 25	35
SLPKS 50	42
SLPKS 75	42
SLPKS 100	42



### Ordering Procedure

Model	Measurement stroke (mm)	Linearity (%)	Resistance (kOhm)	Connector / Cable
SLPKS	100	A	5K	1M
SLPKS	10 - 100 mm	A: ±%0.5 (≤75 mm), B: ±%0.2 (100 mm)	2K : 2 kOhm (10-50 mm) 5K : 5 kOhm (75-100 mm)	1M: 1 meter cable (standard) CN5B: M16, 5 pin connector