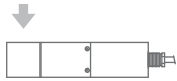




**SHEAR BEAM: capacity from 500 kg to 10000 kg**

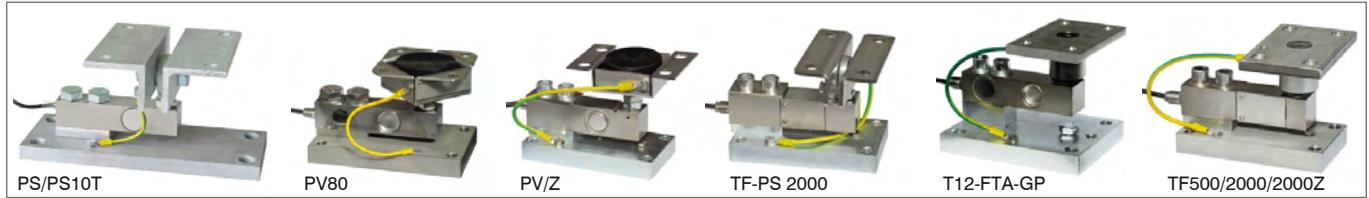


**BENDING BEAM: capacity from 75 kg to 300 kg**



- AISI 420 STAINLESS STEEL
- COMBINED ERROR  $\leq \pm 0.02\%$
- PROTECTION CLASS IP67, IP68

### MOUNTING KITS



CAPACITY	kg	ACCURACY CLASS	OIML	IECEX	Ex	EAC	NET WEIGHT OF LOAD CELL (kg)	CODE
75		C3	•	•	•		0.9	FTP75
150		C3	•	•	•		0.9	FTP150
300		C3	•	•	•		0.9	FTP300
500		C3	•	•	•		0.9	FTP500
750		C3	•	•	•		0.9	FTP750
1000		C3	•	•	•		0.9	FTP1000
1200		C3	•	•	•		0.9	FTP1200
1500		C3	•	•	•		0.9	FTP1500
2000		C3	•	•	•		0.9	FTP2000
3000		-	•	•	•		1.6	FTP3000
5000		-	•	•	•		1.6	FTP5000
10000		-	•	•	•		3.8	FTP10000

ON REQUEST

### CERTIFICATIONS

OIML R60 C3 (see capacities table)

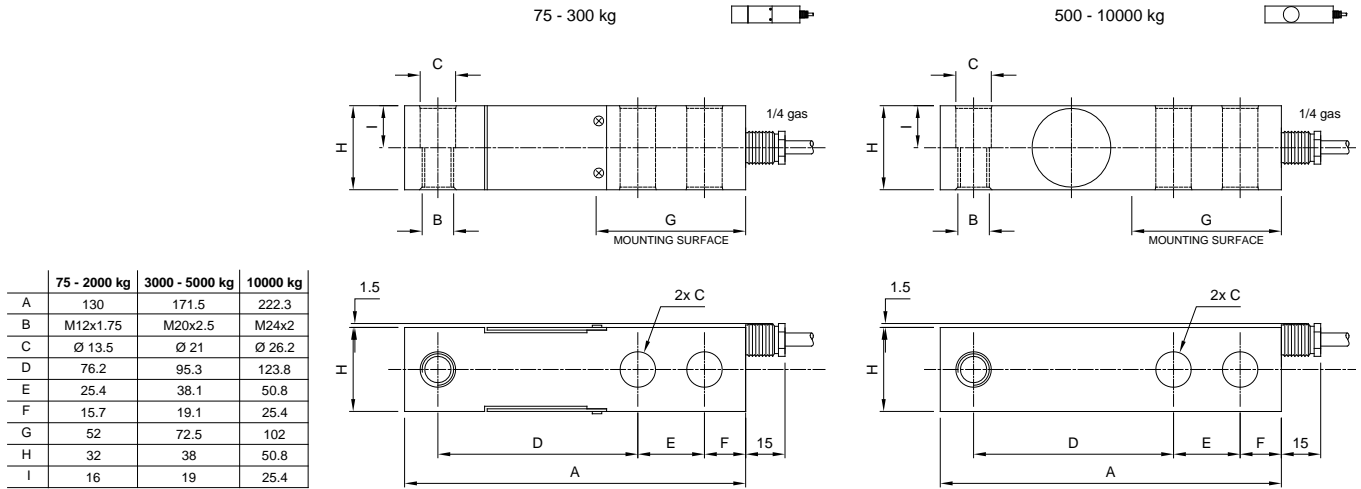
#### CERTIFICATIONS ON REQUEST

ATEX II 1GD (zone 0-1-2-20-21-22)

IECEX II 1GD (zone 0-1-2-20-21-22)

Complies with the Eurasian Custom Union regulations (Russia, Belarus, Kazakhstan)

### DIMENSIONS (mm)

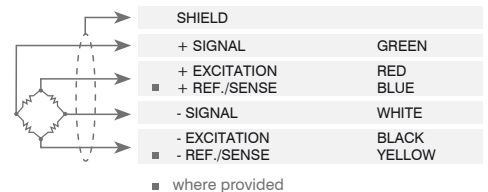


### TECHNICAL FEATURES

Material	AISI 420 stainless steel		
OIML R60 Accuracy class • Verification intervals	C3 • 3000		-
Nominal load (E max)	75 - 150 - 300 - 500 - 750 kg 1000 - 1200 - 1500 - 2000 kg	3000 - 5000 - 10000 kg	
Minimum verification interval (V min)	E max / 15000		-
Combined error	≤ ±0.02%		
Protection class	IP67 (75 - 300 kg), IP68 (500 - 10000 kg)		
Input resistance	385 Ω ± 10	400 Ω ± 15	
Output resistance	350 Ω ± 3	350 Ω ± 5	
Rated output	2 mV/V ± 0.1%	Max supply voltage without damage	15 V
Temperature effect on zero	0.002% °C	Zero balance	±2%
Temperature effect on span	0.0012% °C	Insulation resistance	≥ 5000 MΩ
Compensated temperature range	-10 °C / +40 °C	Safe overload (% of full scale)	150%
Operating temperature range	-20 °C / +70 °C	Ultimate overload (% of full scale)	200%
Creep at nominal load in 30 minutes	0.03%	Deflection at nominal load	0.4 mm

### ELECTRICAL CONNECTIONS

Cable length	5 m (75 - 5000 kg) 10 m (10000 kg)
Cable diameter	5 mm
Cores	4/6 x 0.25 mm <sup>2</sup>



The Company reserves the right to make changes to the technical data, drawings and images without notice.