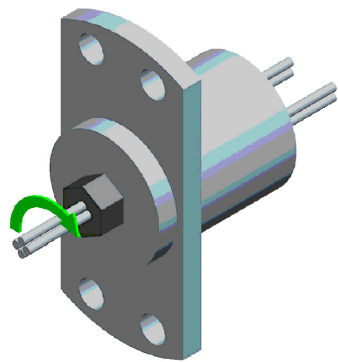
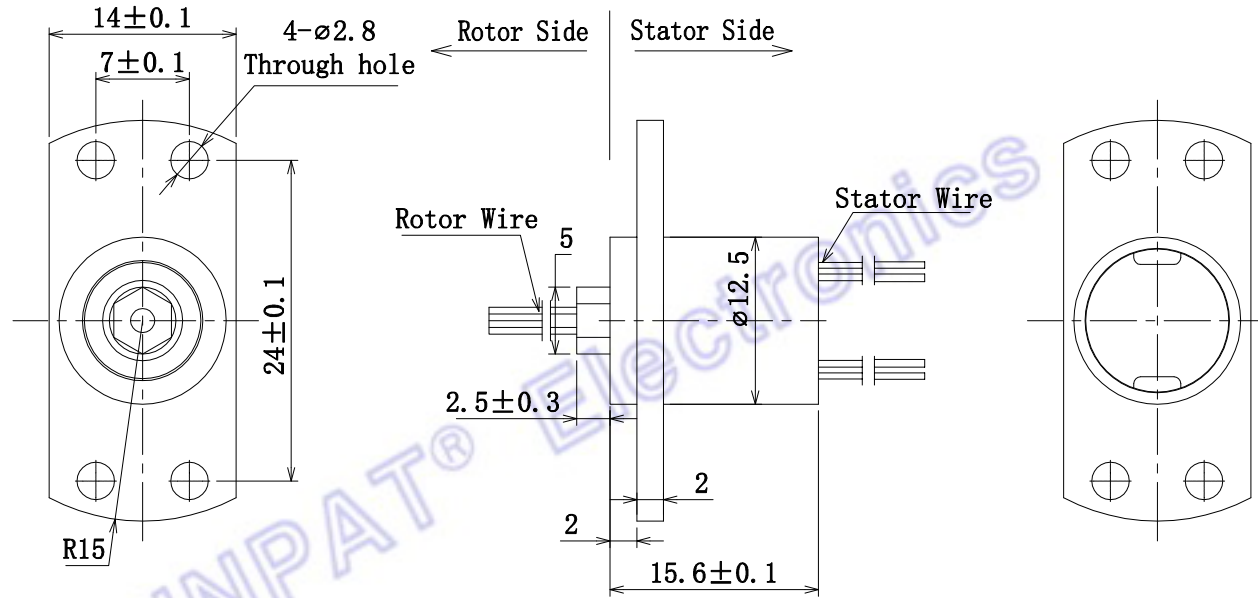


MARK	CONTENT OF AMENDMENT	DATE	DRAW

This document is the property of JINPAT Electronics Co., Ltd (ShenZhen) (Hereafter "JINPAT"). It is lent and is to be returned upon request. The contents of this document are confidential and constitute trade secrets propriety to JINPAT. Its contents document nor its contents shall be disclosed to any unauthorized person copied or published without JINPAT prior written consent.
COPY RIGHT © 2018 JINPAT ELECTRONICS Co., Ltd (ShenZhen).



Technical requirements:

1. For the dimension which unmarked tolerance, its' tolerance will be controlled according to the unmarked tolerance in the frame

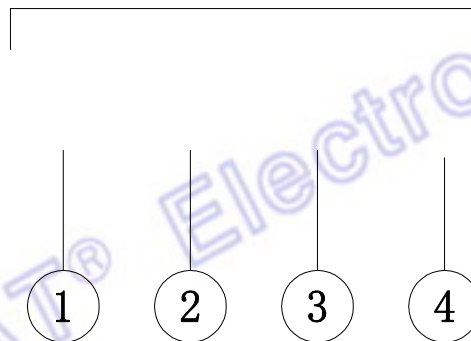


MODEL	LPM-04B(0)						
Customer code				TITLE	Outline Drawing		
UNIT	mm	TOL UNLESS SPECIFIED LINEAR 0-18 ±0.1 >18-80 ±0.15 >80-250 ±0.2 ANGLE x° ±0.5°	DESIGN	LF	DATE	2018. 10. 30	
SCALE	1:1		CHECKED	CJS	DATE	2018. 10. 30	
PROJ.			REV.	A0	PAGE	1/2	

MARK	CONTENT OF AMENDMENT	DATE	DRAW


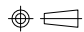
This document is the property of JINPAT Electronics Co., Ltd (ShenZhen) (Hereafter "JINPAT"). It is lent and is to be returned upon request. The contents of this document are confidential and constitute trade secrets propriety to JINPAT. Its contents document nor its contents shall be disclosed to any unauthorized person copied or published without JINPAT prior written consent.
COPY RIGHT @ 2018 JINPAT ELECTRONICS Co., Ltd (ShenZhen).

4Circuits*2A
AWG30# Teflon® UL



JINPAT® Electronics

Electronic & Electric			
Circuits	Total	4 CKT	
	Detail	4x2A	
Rating Voltage	110V AC/DC	Working Speed	0~300rpm
Dielectric Strength	≥200VAC@50Hz (P) ≥100VAC@50Hz (S)	Contact Material	Precious Metal
Insulation Resistance	≥50MΩ@200VDC (P) ≥10MΩ@100VDC (S)	Housing Material	Engineering plastics
Dynamic Resistance Fluctuation Value	≤35mΩ	Lead Wire Length	Stator:250±5mm Rotor:250±5mm
Lead Wire Size	AWG30# silver plated copper UL®, Teflon®	Remarks	
Environment		Application	/
Working Temperature	-20° C~+60° C	Other	/
Working Humidity	≤60%RH	Note: "P" stands for power, "S" stands for signal.	

 JINPAT www.slipring.cn	MODEL	LPM-04B(0)					
	Customer code	TITLE			Wiring Diagram		
UNIT	mm	TOL UNLESS SPECIFIED LINEAR 0-18 ±0.1 >18-80 ±0.15 >80-250 ±0.2 ANGLE x° ±0.5°	DESIGN	LF	DATE	2018. 11. 06	
SCALE	1:1		CHECKED	CJS	DATE	2018. 11. 06	
PROJ.		REV.	A0	PAGE	2/2		